



FAG

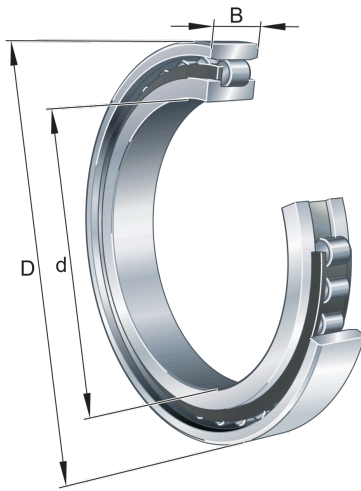
N312-E-XL-TVP2

Cylindrical roller bearing

Schaeffler ID:
0192185750000

Cylindrical roller bearing N3..-E-TVP2, with cage, single row, non-locating bearing, 0 ribs on outer ring, 2 rib on inner ring, type N3

Technical information

**Main Dimensions & Performance Data**

d	60 mm	Bore diameter
D	130 mm	Outside diameter
B	31 mm	Width
C_r	177,000 N	Basic dynamic load rating, radial
C_{0r}	157,000 N	Basic static load rating, radial
C_{ur}	29,000 N	Fatigue load limit, radial
$n_{G\text{ Grease}}$	6,300 1/min	Limiting speed for grease lubrication
$n_{G\text{ Oil}}$	7,400 1/min	Limiting speed for oil lubrication
	1.78 kg	Weight

Dimensions

$r_{1\text{ min}}$	2.1 mm	Minimum chamfer dimension
s_1	1.9 mm	Axial displacement
E	115 mm	Raceway diameter outer ring

Mounting dimensions

$d_{a\text{ min}}$	72 mm	Minimum diameter shaft shoulder
$D_{a\text{ max}}$	118 mm	Maximum diameter of housing shoulder
$r_{a1\text{ max}}$	2.1 mm	Maximum recess radius

Temperature range

T_{min}	-30 °C	Operating temperature min.
T_{max}	120 °C	Operating temperature max.